

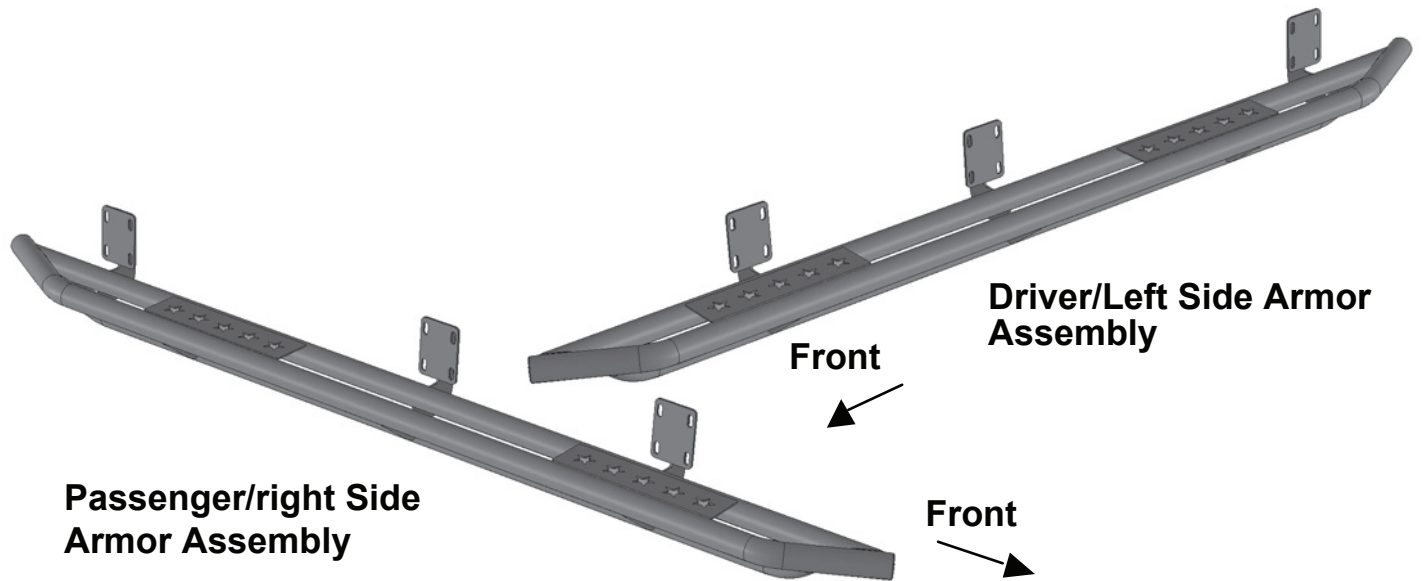


## STAR ARMOR<sup>®</sup>

TG-AM2F20098

### Parts List

- x1** Driver Side Armor
- x1** Passenger Side Armor
- x36** 10mm x 27mm OD x 3mm Flat Washers
- x24** 10-1.5mm x 30mm Hex Bolts
- x12** 10mm Clip Nuts
- x24** 10mm Lock Washers
- x12** 10mm Hex Nuts



### Before Installation

REMOVE CONTENTS FROM BOX. VERIFY ALL PARTS ARE PRESENT. READ INSTRUCTIONS CAREFULLY BEFORE STARTING INSTALLATION. ASSISTANCE IS HIGHLY RECOMMENDED.

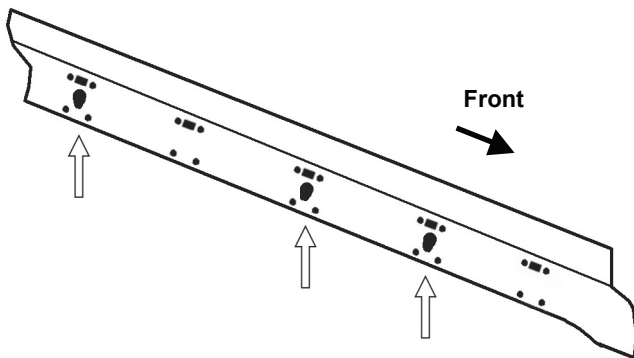
### Torque Value

Fastener Size	Class 8.8 Tightening Torque (ft-lbs)	Class 10.9 Tightening Torque (ft-lbs)
6mm	6-7	6-7
8mm	15-16	22-23
10mm	31-32	44-45
12mm	54-55	78-79
14mm	87-88	125-126

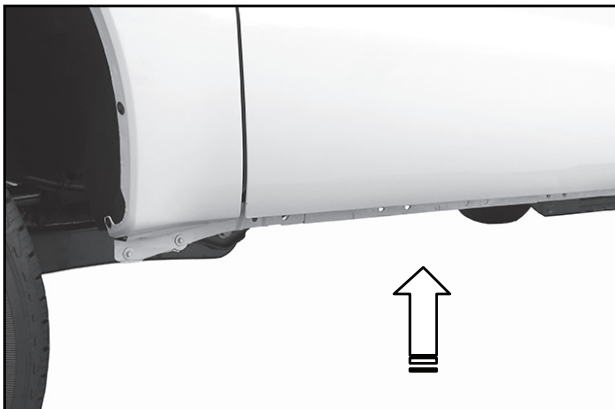


## STEP 1

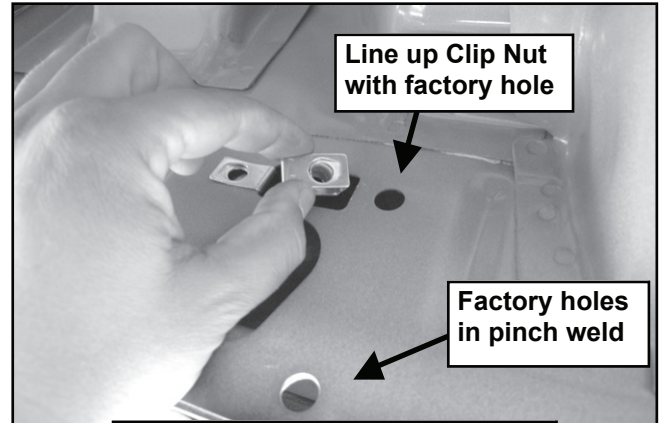
Starting on the driver side of the vehicle, locate the (5) pairs of factory holes along the bottom of the body, (pinch weld). NOTE: Side Armor will attach to the 2nd, 3rd and 5th mounting locations, (Figure 1). Directly above each pair of holes, locate the factory mounting holes in the inner side panel, (Figures 1, 3-5). NOTE: The inner holes may be covered with sealing tape or insulation.



(Fig 1) Driver/left body mounting locations along back of inner rocker panel illustrated



(Fig 2) Locate the factory holes along the pinch weld. Start at the 2nd pair of factory holes



(Fig 3) Typical Mounting Location

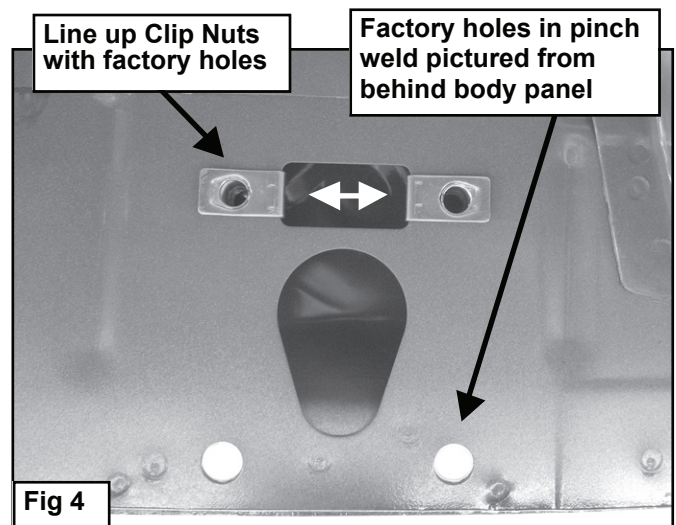


Fig 4



(Fig 5) Driver/left center mounting location



## STEP 2

Move to the 2nd pair of holes along the pinch weld, directly under the center of the front door, (Figures 1 & 2). Select (2) 10mm Clip Nuts. Slide the 10mm Clip Nuts into the rectangular opening with the nut towards the inside. Line up the threaded nut on the clip with the round holes on each side of the rectangular opening, (Figures 3 & 4).

## STEP 3

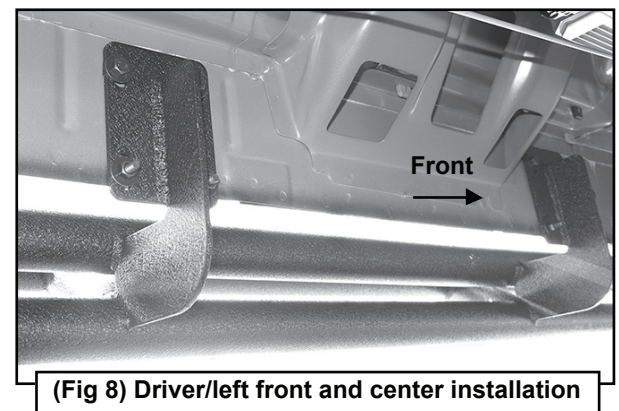
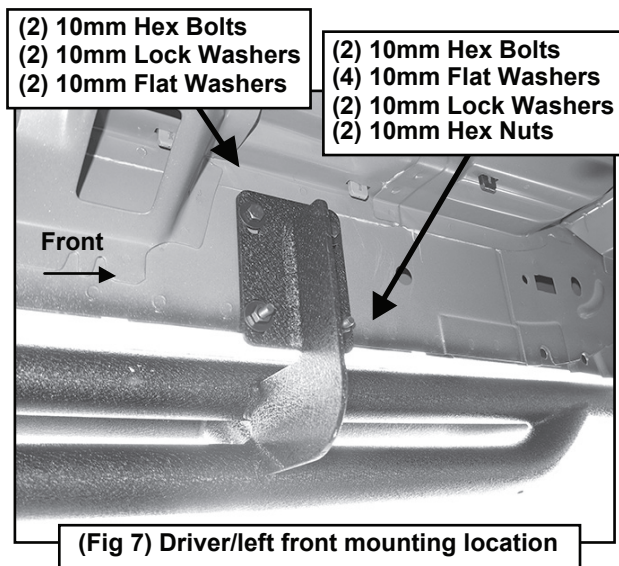
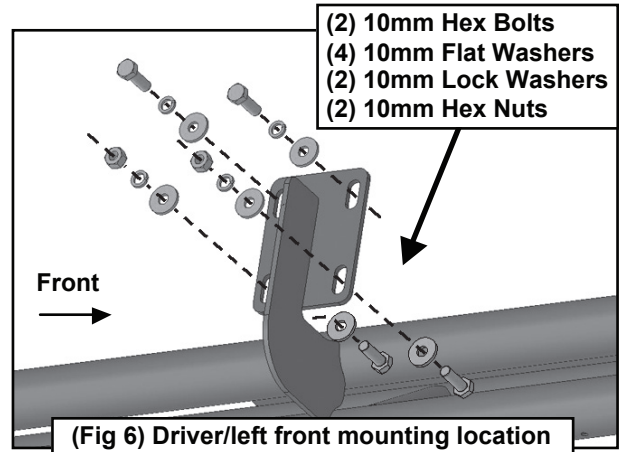
Move along the vehicle to the next, (center), mounting location, (Figures 1 & 5). Repeat Steps 1 & 2 to install (2) 10mm Clip Nuts. NOTE: If you are not sure which sets of mounting holes to use, hold the driver/left Side Armor assembly up in the proper position and line up the mounting brackets with the mounting locations along the inner body panel.

## STEP 4

Move to the last, (5th), mounting location at the back of the cab. Repeat Step 3 to install (2) 10mm Clip Nuts, (Figure 9).

## STEP 5

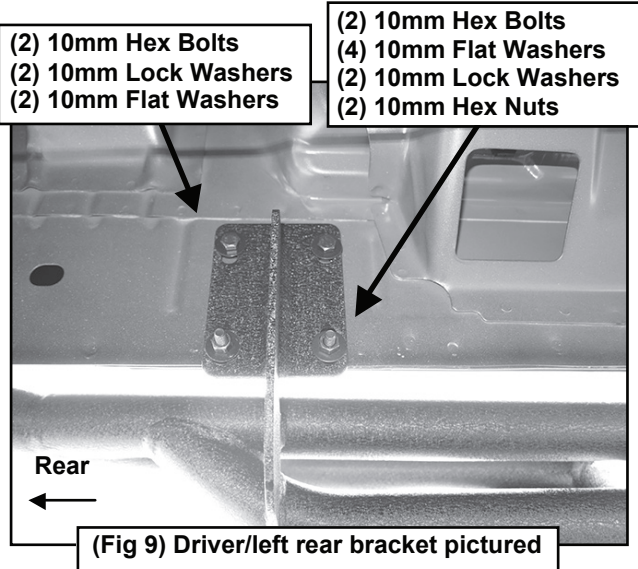
Select the driver/left Side Armor. With assistance, carefully position the Side Armor up to and against the (3) mounting locations. Attach the Side Armor to the (6) 10mm Clip Nuts with (6) 10mm Hex Bolts, (6) 10mm Lock Washers and (6) 10mm Flat Washers, (Figures 6-9). Do not tighten at this time.





## STEP 6

Line up the holes in the bottom of the mounting brackets on the Side Armor with the (6) mounting holes in the pinch weld. Attach the Side Armor to the pinch weld with (6) 10mm Hex Bolts, (12) 10mm Flat Washers, (6) 10mm Lock Washers and (6) 10mm Hex Nuts, (Figures 6-9). NOTE: Insert Hex Bolt with Flat Washer through pinch weld first, then through bracket, (Figure 6). Do not fully tighten at this time.



## STEP 7

Level and adjust the Side Armor properly and tighten all hardware.

## STEP 8

Repeat Steps 1-7 for passenger/right Side Armor assembly installation.

## STEP 9

Do periodic inspections to the installation to make sure that all hardware is secure and tight.

